



PU SCRAPER BOARD

EU8100

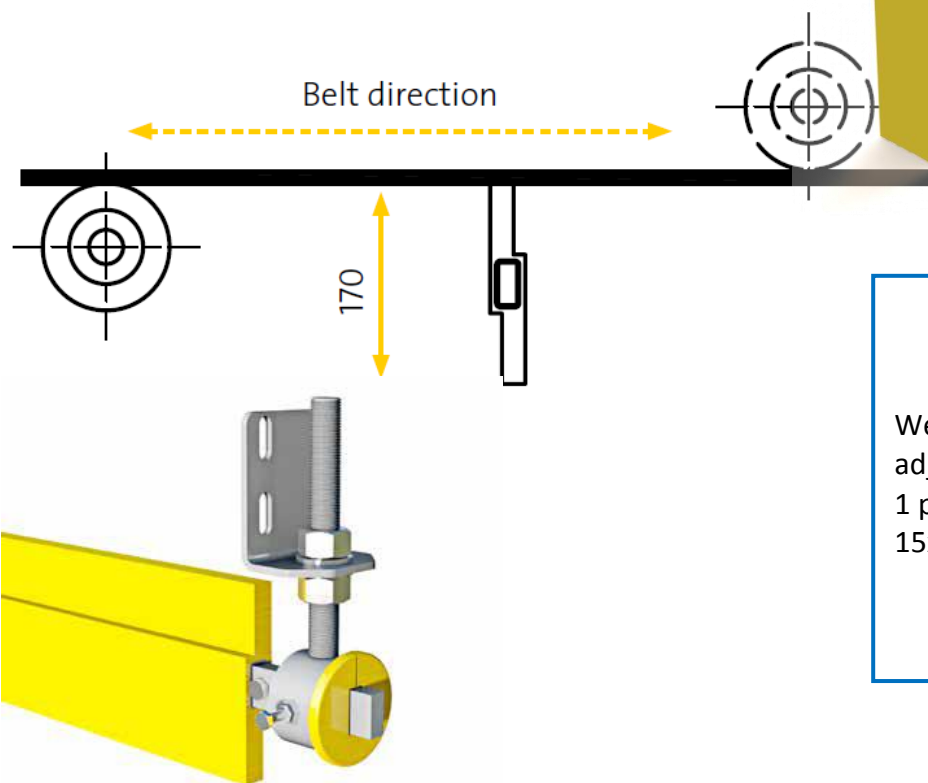
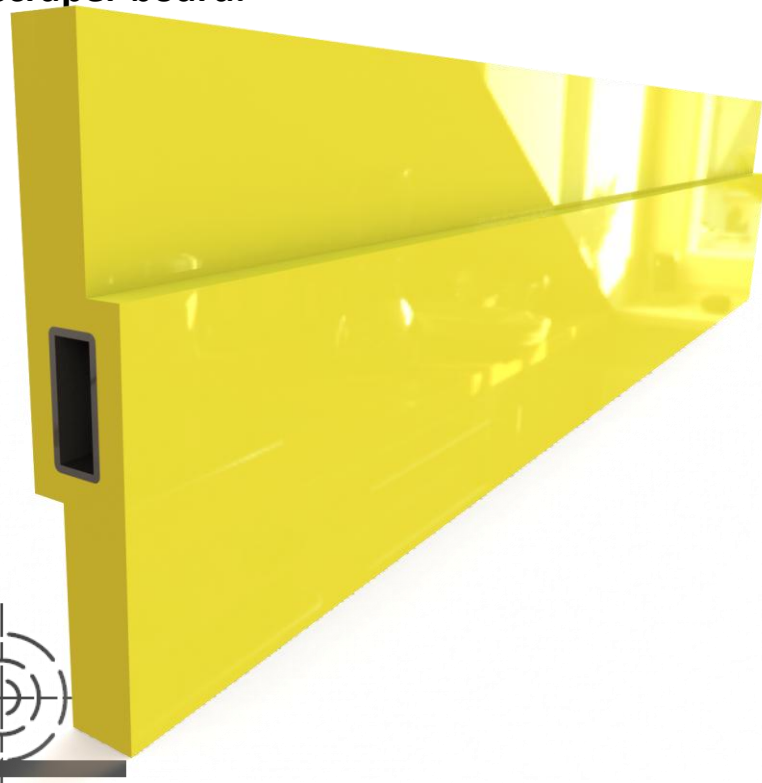
PU scraper board of polyurethane

– Popular, affordable and reversible scraper board.

PU scraper board EU8100 Replace one of the conveyor belt's return rollers for a PU scraper board by threading a flat bar through the embedded square tube and hooking on to the framework.

A very popular and affordable scraper that can easily be reversed when one side is worn. Normally supplied in 2.2 metre lengths but can be easily cut to fit your needs.

Suitable as standard for several mobile crushers.



We supply Holder PL-1 adjustable (EU9380)
1 pair and flat bar (EU8126)
15x35

